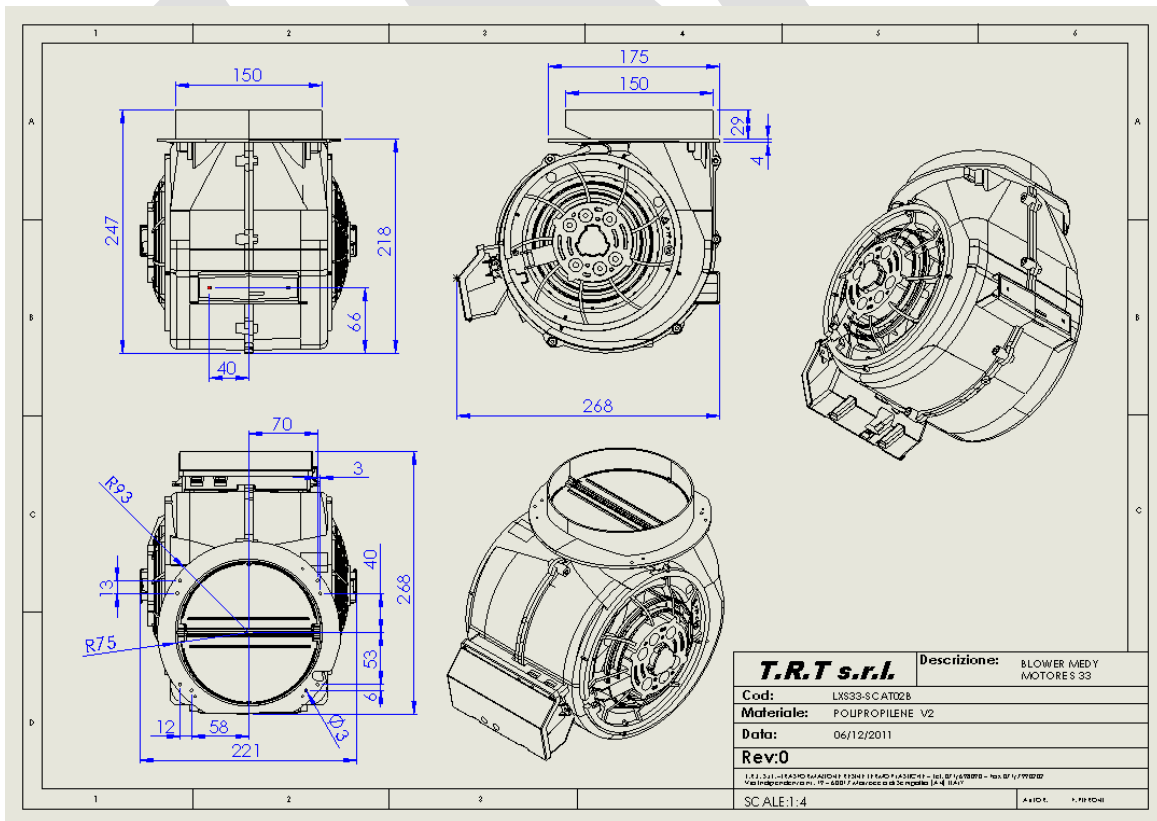


DATA SHEET      BLOWER MINI      LXS 33 - SCAT02B

Engine Type: S40 a two-pole capacitor  
 Voltage: V220-240  
 Operating frequency: 50 Hz  
 Rated power: 240 W  
 Rotation: clockwise  
 Condenser: 5µF  
 Noise: 50 Dba  
 Max capacity: m<sup>3</sup> / h 900  
 Max pressure: 563 Pa  
 Insulation class: F  
 Protection class: I  
 Thermal protection: 160 °  
 Maximum permissible ambient temperature: 40 ° C  
 Working position: horizontal  
 Operating Time: continuous





**T.R.T. S.r.l. - TRASFORMAZIONE RESINE TERMOPLASTICHE** - Tel. 071/698090 - Fax: 071/7990202  
 Via Indipendenza n. 19 - 60017 Marzocca di Senigallia (AN) ITALY - P.I. 01038100424 - CEIIT 01038100424  
 Iscr. Reg. Soc. Trib. AN15485 - CCIAA 105259 - Cap. Soc. 26.000,00 euro i.v.

DATE: 22-01-2013	CUSTOMER:	proj.N°	MODEL: conv.TRT MEDY PLAST
POWER SUPPLY:	SPEED:	4	MOT FIME S40
COMPILED: francesco pieroni	francesco pieroni		COND 5 µF GIRANTE 52 46 PALE

### - AIR VOLUME TEST -

ACCORDING TO IEC665 STANDARD

ROOM TEMPERATUR=	19 °C	ATM PRESS=	761 mmHg	OUTLET Ø =	150 mm
TOTAL PRESSURE=	563 Pa	FDE	25,03%	Q MAX meas	900 m³/h

#### VALUES

Flange Venturi Ø	Q [m³/h]	V (m/sec)	HT [Pa]	HDF [Pa]	HSF [Pa]	P [W]
0	0	0	563	0,00	563,00	167
48	109	2	476	1,81	474,19	171
68	216	3	449	7,15	441,85	179
83	320	5	417	15,66	401,34	188
90	371	6	399	21,00	378,00	192
96	429	7	389	28,18	360,82	199
102	486	8	370	36,15	333,85	205
107	533	8	353	43,48	309,52	209
112	580	9	321	51,35	269,65	215
117	631	10	304	60,75	243,25	218
129	736	12	241	82,60	158,40	226
136	760	12	207	88,14	118,86	230
145	767	12	167	89,77	77,23	232
152	777	12	142	92,14	49,86	233
166	771	12	101	90,59	10,41	236
180	718	11	66	78,61	-12,61	240

